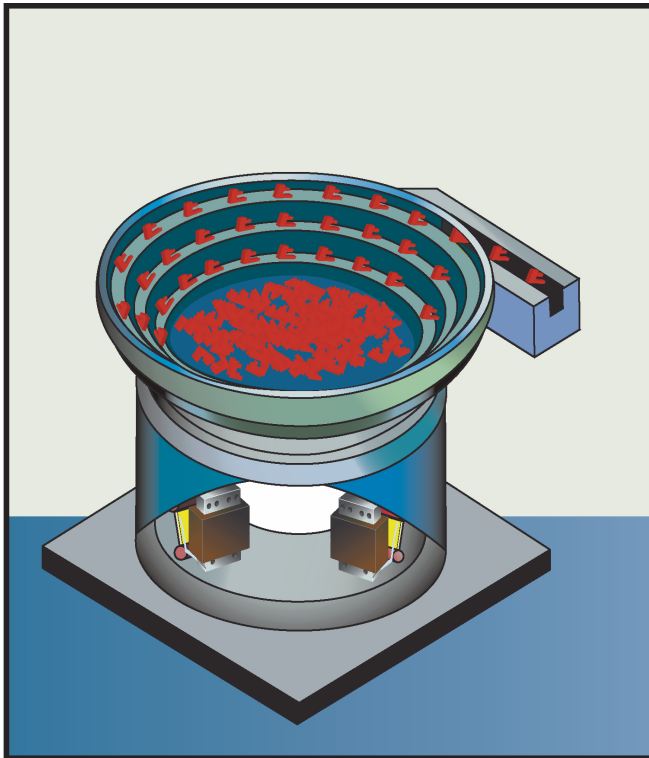
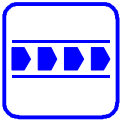


Phase-angle controller for vibratory feeders

REOVIB R6 / 539

Enclosed version (IP 54)



- Mains voltage compensation
- Suitable for 110 V and 240 V, 50/60 Hz supplies
- Output frequency 50/100 Hz or 60/120 Hz
- Setpoint via potentiometer 10 k Ω , 0...+10 V or 0(4)...20 mA
- Enable input 24 VDC or contact
- Integrated track control
- Adjustable soft start
- Output cable or output socket

REOVIB

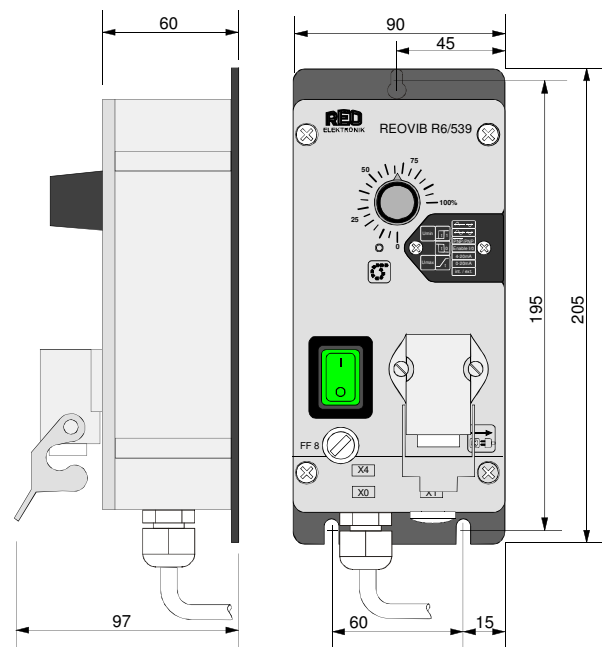
Phase-angle controller for vibratory feeders

REOVIB R6 / 539

The REOVIB R6/539 is a range of controllers available with or without track control. The controllers work on the phase-angle principle, the throughput power of the feeder is adjusted via the supply voltage. The feed rate setpoint can be either preset internally via the built-in potentiometer, or externally via 0...+10 VDC or 0(4)...20 mA. An enable input and a status output are provided and can be used for interlocking with other control equipment. The controllers include a mains switch and a fuse. The operating range of the setpoint potentiometer can be adapted for specific requirements of the feeder by means of the trimmers and switches located behind a front cover, i.e. the housing does not have to be opened.

Depending on controller version, the connections to the feeder are made either via an output connector (standard) or a cable.

Type	REOVIB R6 / 539
ID-No.:	53910 without track control
ID-No.:	53920 with track control
Supply voltage:	switchable 110 V + 6 % -10 %, 50/60 Hz 230 V + 6 % -10 %, 50/60 Hz
Output voltage:	20...100 V, 40...210 V
Output current:	0...6 A
Output frequency:	50/100 Hz (50 Hz supply) 60/120 Hz (60 Hz supply)
Setpoint:	0...+10 VDC, 0(4)...20 mA, or potentiometer 10 k Ω
Enable signal:	24 VDC or contact
Soft start:	0,1...4 sec
Track control:	Internal supply 24 VDC for PNP sensor adjustable delay (invertible)
Status relay:	Changeover 250 V, 1 A
Operating temperature:	0...45 °C
Protection class:	IP 54



TT-Tärylaite Oy

Linnanpajantie 7
FIN-00950 Helsinki
Phone +358-9- 7552730
Fax +358-9-7554505
www.tarylaite.fi
email: info@tarylaite.fi