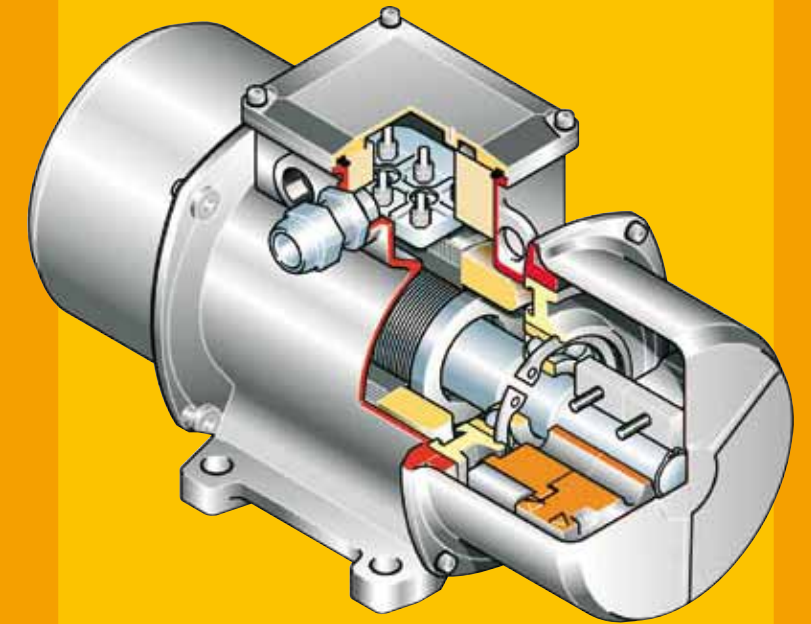




The MVSS stainless steel series vibrators are characterized by their total protection from liquids, dusts, aggressive agents and contaminants, thanks to the stainless steel casing and external components.



## Technical features

### Power supply

Three-phase voltage from 24V to 690V, 50Hz or 60Hz or single-phase 100-130V 60Hz and 200-240V, 50Hz; suitable for use with an inverter from 20Hz to the base frequency with constant torque load profile.

### Polarity

2, 4, 6 and 8 poles.

### Conformity with European Directives

Low voltage 73/23/CE; Electromagnetic Compatibility 89/336/CE

### Reference Regulations

EN 60034-1, EN 50081-1, EN 50081-2, EN 50082-1, EN 50082-2.

### Functioning

Continual service (S1) at maximum declared centrifugal force and electric power. Intermittent services are also possible depending on the type of vibrator and the operating conditions. For detailed information, contact our technical assistance office.

### Centrifugal force

Range extended up to 4300 Kgf. (42.4 KN), with centrifugal force adjustable from 0 to 100%.

### Mechanical protection

IP 66 according to IEC 529, EN 60529.

### Insulation class

Class F (155°C), class H (180°C) on request.

### Tropicalization

Standard on all vibrators, with vacuum impregnation up to size AF 33 and 35, with "drop by drop" trickle system for larger sizes.

### Environmental temperature

From -30°C to +40°C. Versions for higher or lower temperatures are available on request.

### Vibrator heat protection

Standard PTC rated thermistor heat detectors 130°C (DIN 44081-44082) from size 70, on request for smaller sizes. On request, thermistors with different temperatures and anti-condensation heaters.

### Fixing of the vibrator

In all positions and therefore without restriction.

### Lubrication

All vibrators are lubricated in the factory and do not require further lubrication if used in normal operating conditions. In heavy duty operating conditions periodical re-lubrication may be applied to size 35 and larger.

### Terminal box

Large fixed electrical connections, with terminal board cover in stainless steel AISI 316L. Special shaped terminals allow to fix the power supply cable, protecting it from loosening.

### Electric motor

Three-phase and single-phase asynchronous type. Designed for maximum starting torques and torque curves specific to vibrating machines. Insulated windings using vacuum encapsulating up to size 35; using the "drop by drop" trickle system with class H resin for larger sizes. The rotor is die cast aluminium.

### Casing

In stainless steel AISI 316L, with especially studied design to reduce deposits of dusts and liquids.

### Bearing flange

Constructed in cast iron (ductile or grey) or in aluminium with steel bearing seat. The geometry of the flange transmits the load to the casing uniformly.

### Bearings

The lower and upper bearings have been studied to support the relative load and therefore they have a particular geometry, especially designed and made for Italtvibras.

### Motor shaft

In treated steel alloy (Isothermic hardening) resistant to stress.

### Eccentric weights

Allow continual adjustment of the centrifugal force. This adjustment is realized by a graduated scale, which expresses the centrifugal force as a percentage of the maximum centrifugal force.

A patented system (patent N°MO98A000194), called ARS, prevents adjustment errors.

### Weight covers

In stainless steel AISI 316L with thickness measuring 1.2 to 1.5mm, to unite mechanical resistance to the guaranteed protection of stainless steel.

### Surface treatment

Electro polishing of the surface to obtain a smooth, bright, uniform surface.

### External screws

In stainless steel AISI 304.

### Other features

Identification plate in AISI 316L stainless steel.

## Certifications



Regulation CAN/CSA - C22.2 N. 100-95, file n° LR100948 Class 4211 01 - Motors and generators.



Mechanical protection IP66 (EN 60529), shock-proof protection IK 08 (EN 50102)

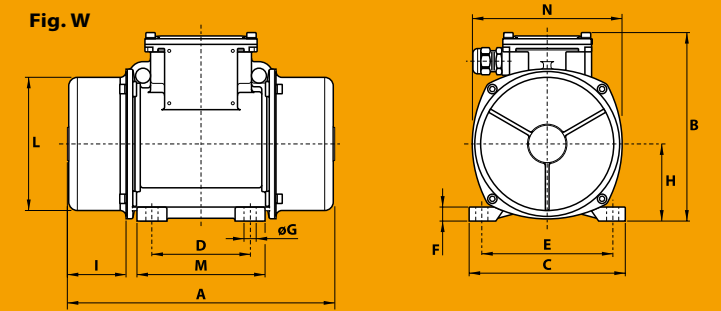


Gost-R certificate for all models of vibrators: GOST 16264.1, GOST 16264.0, GOST R 51689.



Comply with the applicable European Union directives

## 2 poles - 3000/3600 rpm

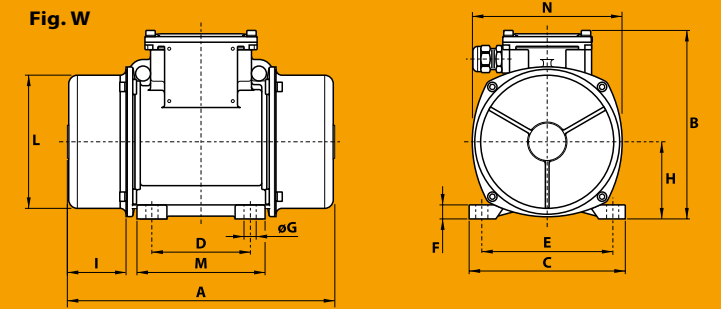


	Description				Mechanical specifications								Electrical specifications						Type	Dimensional specifications (mm)															
	Code	Type	SIZE	SF	Static moment* kgmm		Centrifugal force				Weight kg		Max input power W		Max. current A		Ia/In			Fig.	A	B	C	D	E	Holes				L	M	N	Capacitor (µF)		Cable entry thread
					50 Hz	60 Hz	50 Hz	60 Hz	50 Hz	60 Hz	50 Hz	60 Hz	50 Hz	60 Hz	400 V 50 Hz	460 V 60 Hz	50 Hz	60 Hz								øG	N*	F	H				I	220 V 50 Hz	
three-phase	600328	MVSS 3/100-S02	00	•	12.0	12.0	121	174	1.19	1.71	7.80	7.80	180	180	0.35	0.30	2.68	3.00	W	209	151	125	62-74**	106	9	4	10	61	45	100	102	117	-	-	M20x1.5
	600329	MVSS 3/200-S02	01	•	21.0	15.0	211	218	2.07	2.14	8.20	8.00	180	180	0.35	0.30	2.68	3.00	W	225	151	125	62-74**	106	9	4	10	61	53	100	102	117	-	-	M20x1.5
	600330	MVSS 3/300-S02	10	•	30.1	20.4	304	297	2.98	2.91	12.5	12.0	260	270	0.60	0.50	3.47	4.20	W	255	176	152	90	125	13	4	12	73	54	124	122	141	-	-	M20x1.5
	600331	MVSS 3/500-S02	20	•	49.9	32.4	503	471	4.93	4.62	18.5	17.5	450	500	0.80	0.75	4.21	4.80	W	284	200	167	105	140	13	4	15	82.5	63	143	137	160	-	-	M25x1.5
	600332	MVSS 3/800-S02	30	•	78.0	52.0	785	754	7.70	7.40	25.0	24.0	650	685	1.10	1.00	3.83	6.00	W	308	211	205	120	170	17	4	17	93.5	63	168	160	182	-	-	M25x1.5
	600333	MVSS 3/1100-S02	35	•	110	73.0	1105	1061	10.8	10.4	30.0	29.0	1000	1200	1.75	1.75	3.63	4.00	W	354	232	205	120	170	17	4	20	104.5	77	181	162	203	-	-	M25x1.5
	600334	MVSS 3/1510-S02	40	•	153	102	1545	1483	15.2	14.5	39.6	38.0	1400	1450	2.30	2.00	4.95	6.12	W	438	245	230	140	190	17	4	25	116	103	201	180	225	-	-	M25x1.5
600335	MVSS 3/2010-S02	50	•	205	128	2059	1853	20.2	18.2	48.7	46.3	2200	2200	3.50	3.00	4.62	6.00	W	438	245	230	140	190	17	4	25	116	103	201	180	225	-	-	M25x1.5	
single-phase	600328	MVSS 3/100-S02	00	•	12.0	12.0	121	174	1.19	1.71	7.80	7.80	165	165	0.75	1.52	1.67	2.24	W	209	151	125	62-74**	106	9	4	10	61	45	100	102	117	10	28	M20x1.5
	600329	MVSS 3/200-S02	01	•	21.0	15.0	211	218	2.07	2.14	8.20	8.00	165	165	0.75	1.52	1.67	2.24	W	225	151	125	62-74**	106	9	4	10	61	53	100	102	117	10	28	M20x1.5
	600330	MVSS 3/300-S02	10	•	30.1	20.4	304	297	2.98	2.91	12.5	12.0	280	280	1.25	2.40	2.48	3.52	W	255	176	152	90	125	13	4	12	73	54	124	122	141	16	25	M20x1.5
	600331	MVSS 3/500-S02	20	•	49.9	32.4	503	471	4.93	4.62	18.5	17.5	500	500	2.30	4.50	3.35	4.22	W	284	200	167	105	140	13	4	15	82.5	63	143	137	160	12.5	50	M25x1.5
	600332	MVSS 3/800-S02	30	•	78.0	52.0	785	754	7.70	7.40	25.0	24.0	700	750	3.25	7.00	4.00	4.14	W	308	211	205	120	170	17	4	17	93.5	63	168	160	182	25	90	M25x1.5

\* Working moment = 2 x static moment.

Ia/In = ratio between start-up current and maximum current. \*\* Slot.

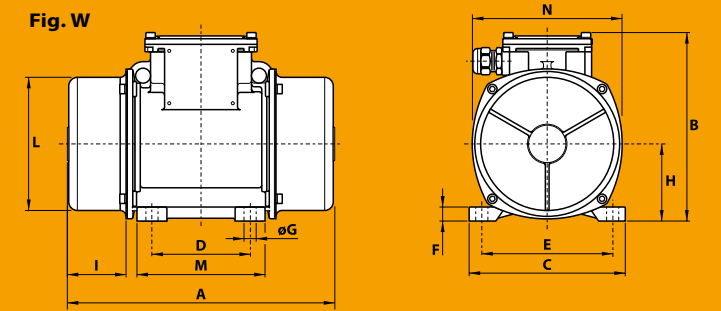
## 4 poles - 1500/1800 rpm



	Description				Mechanical specifications								Electrical specifications						Type	Dimensional specifications (mm)															
	Code	Type	SIZE	SR	Static moment* kgmm		Centrifugal force				Weight kg		Max input power W		Max. current A		Ia/In			Fig.	A	B	C	D	E	Holes				L	M	N	Capacitor (µF)		Cable entry thread
					50 Hz	60 Hz	50 Hz	60 Hz	50 Hz	60 Hz	50 Hz	60 Hz	50 Hz	60 Hz	400 V 50 Hz	460 V 60 Hz	50 Hz	60 Hz								øG	N°	F	H				I	220 V 50 Hz	
three-phase	601342	MVSS 15/35-S02	00	•	12.0	12.0	30.2	43.5	0.30	0.43	7.80	7.80	85	95	0.21	0.20	1.78	1.95	W	209	151	125	62-74**	106	9	4	10	61	45	100	102	117	-	-	M20x1.5
	601343	MVSS 15/80-S02	01	•	31.0	21.0	77.9	76.1	0.76	0.75	9.00	8.70	85	95	0.21	0.20	1.78	1.95	W	225	151	125	62-74**	106	9	4	10	61	53	100	102	117	-	-	M20x1.5
	601365	MVSS 15/100-S02	01	•	38.9	31.0	97.9	112	0.96	1.10	9.40	9.00	85	95	0.21	0.20	1.78	1.95	W	241 (50Hz) 225 (60Hz)	151	125	62-74**	106	9	4	10	61	61 (50Hz) 53 (60Hz)	100	102	117	-	-	M20x1.5
	601344	MVSS 15/200-S02	10	•	84.2	58.8	213	214	2.09	2.10	15.8	15.0	170	170	0.41	0.40	2.34	2.75	W	295	176	152	90	125	13	4	12	73	74	124	122	141	-	-	M20x1.5
	601345	MVSS 15/400-S02	20	•	163	113	412	411	4.04	4.03	22.5	21.7	300	350	0.60	0.60	3.33	3.50	W	340	200	167	105	140	13	4	15	82.5	91	143	137	160	-	-	M25x1.5
	601346	MVSS 15/550-S02	20	•	219	163	552	592	5.42	5.81	23.9	22.5	300	350	0.60	0.60	3.33	3.50	W	380	200	167	105	140	13	4	15	82.5	111	143	137	160	-	-	M25x1.5
	601347	MVSS 15/700-S02	30	•	286	209	720	760	7.06	7.46	32.0	30.7	525	665	0.92	0.98	3.48	3.43	W	378	211	205	120	170	17	4	17	93.5	98	168	160	182	-	-	M25x1.5
	601348	MVSS 15/1100-S02	35	•	415	271	1045	982	10.3	9.63	42.0	37.5	550	680	0.95	0.95	4.45	4.89	W	434	232	205	120	170	17	4	20	104.5	117	181	162	203	-	-	M25x1.5
	601349	MVSS 15/1410-S02	40	•	561	400	1413	1449	13.9	14.2	53.0	50.0	900	1050	1.45	1.50	4.10	4.20	W	442	245	230	140	190	17	4	25	116	105	201	180	225	-	-	M25x1.5
	601350	MVSS 15/1710-S02	50	•	715	485	1798	1757	17.6	17.2	58.5	54.5	1100	1200	2.00	1.90	4.29	4.89	W	490	245	230	140	190	17	4	25	116	129	201	180	225	-	-	M25x1.5
	601351	MVSS 15/2000-S02	50	•	817	561	2054	2033	20.1	19.9	70.0	68.0	1350	1450	2.50	2.30	4.30	4.90	W	560	245	230	140	190	17	4	25	116	164	201	180	225	-	-	M25x1.5
	601352	MVSS 15/2410-S02	60	•	962	674	2420	2444	23.7	24.0	82.0	76.0	1600	1700	3.20	3.00	6.09	7.23	W	525	285	275	155	225	22	4	30	135	131	231	205	253	-	-	M25x1.5
	601353	MVSS 15/3000-S02	60	•	1235	858	3106	3107	30.5	30.5	92.0	89.0	1900	2000	3.80	3.50	6.50	7.50	W	601	285	275	155	225	22	4	30	135	169	231	205	253	-	-	M25x1.5
	601354	MVSS 15/3810-S02	70	•	1526	1034	3840	3744	37.7	36.7	115	110	2200	2500	3.90	3.90	7.11	6.92	W	589	323	310	155	255	23.5	4	35	155	139.5	269	215	295	-	-	M25x1.5
601363	MVSS 15/4300-S02	70	•	1720	1173	4326	4250	42.4	41.7	122	117	2500	2800	4.80	4.65	5.90	7.10	W	589	323	310	155	255	23.5	4	35	155	178	269	215	295	-	-	M25x1.5	
single-phase	601342	MVSS 15/35-S02	00	•	12.0	12.0	30.2	43.5	0.30	0.43	7.80	7.80	90	100	0.43	1.00	1.20	1.30	W	209	151	125	62-74**	106	9	4	10	61	45	100	102	117	3.15	25	M20x1.5
	601343	MVSS 15/80-S02	01	•	31.0	21.0	77.9	76.1	0.76	0.75	9.00	8.70	90	100	0.43	1.00	1.20	1.30	W	225	151	125	62-74**	106	9	4	10	61	53	100	102	117	3.15	25	M20x1.5
	601365	MVSS 15/100-S02	01	•	38.9	31.0	97.9	112	0.96	1.10	9.40	9.00	90	100	0.43	1.00	1.20	1.30	W	241 (50Hz) 225 (60Hz)	151	125	62-74**	106	9	4	10	61	61 (50Hz) 53 (60Hz)	100	102	117	3.15	25	M20x1.5
	601344	MVSS 15/200-S02	10	•	84.2	58.8	213	214	2.09	2.10	15.8	15.0	210	230	1.00	2.00	1.50	1.85	W	295	176	152	90	125	13	4	12	73	74	124	122	141	5	25	M20x1.5
	601345	MVSS 15/400-S02	20	•	163	113	412	411	4.04	4.03	22.5	21.7	240	320	1.20	2.80	2.50	2.21	W	340	200	167	105	140	13	4	15	82.5	91	143	137	160	32/12 ◐	35	M25x1.5
	601346	MVSS 15/550-S02	20	•	219	163	552	592	5.42	5.81	23.9	22.5	240	320	1.20	2.80	2.50	2.21	W	380	200	167	105	140	13	4	15	82.5	111	143	137	160	32/12 ◐	40/35 ◐	M25x1.5
	601347	MVSS 15/700-S02	30	•	286	209	720	760	7.06	7.46	25.0	23.0	450	550	2.15	5.15	5.44	3.63	W	378	211	205	120	170	17	4	17	93.5	98	168	160	182	96/16 ◐	160/40 ◐	M25x1.5

\* Working moment = 2 x static moment.

Ia/In = ratio between start-up current and maximum current. \*\* Slot. ◐ Start-up capacitor / Running capacitor.



## 6 poles - 1000/1200 rpm

	Description				Mechanical specifications						Electrical specifications				Type	Dimensional specifications (mm)																		
	Code	Type	SIZE	IP	Static moment* kgmm		Centrifugal force				Weight kg		Max input power W			Max. current A		Ia/In		Fig.	A	B	C	D	E	Holes		F	H	I	L	M	N	Cable entry thread
					50 Hz	60 Hz	50 Hz	60 Hz	50 Hz	60 Hz	50 Hz	60 Hz	50 Hz	60 Hz		400 V 50 Hz	460 V 60 Hz	50 Hz	60 Hz							øG	N°							
three-phase	602283	MVSS 10/40-S02	10	•	30.1	30.1	35	49	0.33	0.47	12.5	12.5	120	135	0.30	0.30	1.90	2.07	W	255	176	152	90	125	13	4	12	73	54	124	122	141	M20x1.5	
	602284	MVSS 10/100-S02	10	•	84.2	84.2	94.3	136	0.93	1.33	15.8	15.8	120	135	0.30	0.30	1.90	2.07	W	295	176	152	90	125	13	4	12	73	74	124	122	141	M20x1.5	
	602285	MVSS 10/200-S02	20	•	163	163	183	264	1.80	2.59	22.5	22.5	185	205	0.50	0.50	2.72	3.10	W	340	200	167	105	140	13	4	15	82.5	91	143	137	160	M25x1.5	
	602286	MVSS 10/310-S02	30	•	286	209	321	338	3.15	3.32	32.0	30.7	350	380	0.72	0.68	2.63	2.79	W	378	211	205	120	170	17	4	17	93.5	98	168	160	182	M25x1.5	
	602287	MVSS 10/550-S02	35	•	457	457	512	737	5.02	7.23	43.5	43.5	350	380	0.75	0.68	2.53	3.68	W	434	232	205	120	170	17	4	20	104.5	117	181	162	203	M25x1.5	
	602288	MVSS 10/810-S02	40	•	723	561	809	905	7.84	8.88	54.0	52.6	680	760	1.40	1.35	2.79	3.33	W	490 (50Hz) 442 (60Hz)	245	230	140	190	17	4	25	116	129 (50Hz) 105 (60Hz)	201	180	225	M25x1.5	
	602289	MVSS 10/1110-S02	50	•	1012	715	1132	1151	11.1	11.3	67.0	59.5	750	750	1.65	1.50	3.33	4.13	W	560 (50Hz) 490 (60Hz)	245	230	140	190	17	4	25	116	164 (50Hz) 129 (60Hz)	201	180	225	M25x1.5	
	602290	MVSS 10/1400-S02	50	•	1274	904	1424	1455	14.0	14.3	78.0	71.0	950	1000	2.10	2.00	3.60	4.30	W	560	245	230	140	190	17	4	25	116	164	201	180	225	M25x1.5	
	602291	MVSS 10/1610-S02	60	•	1464	962	1638	1549	16.1	15.2	94.0	83.0	1100	1300	2.20	2.20	4.21	4.05	W	601 (50Hz) 525 (60Hz)	285	275	155	225	22	4	30	135	169 (50Hz) 131 (60Hz)	231	205	253	M25x1.5	
	602292	MVSS 10/2100-S02	60	•	1927	1318	2154	2121	21.1	20.8	105	93.0	1500	1700	3.00	2.90	4.50	4.20	W	601	285	275	155	225	22	4	30	135	169	231	205	253	M25x1.5	
	602293	MVSS 10/2610-S02	70	•	2326	1706	2601	2747	25.5	26.9	130	116	1960	2100	4.10	3.75	5.35	5.60	W	657 (50Hz) 589 (60Hz)	323	310	155	255	23.5	4	35	155	173.5 (50Hz) 139.5 (60Hz)	269	215	295	M25x1.5	
	602294	MVSS 10/3000-S02	70	•	2690	1940	3007	3124	29.5	30.6	145	130	2200	2400	4.50	4.30	4.35	4.81	W	705	323	310	155	255	23.5	4	35	155	197.5	269	215	295	M25x1.5	

## 8 poles - 750/900 rpm

	Description				Mechanical specifications						Electrical specifications				Type	Dimensional specifications (mm)																		
	Code	Type	SIZE	IP	Static moment* kgmm		Centrifugal force				Weight kg		Max input power W			Max. current A		Ia/In		Fig.	A	B	C	D	E	Holes		F	H	I	L	M	N	Cable entry thread
					50 Hz	60 Hz	50 Hz	60 Hz	50 Hz	60 Hz	50 Hz	60 Hz	50 Hz	60 Hz		400 V 50 Hz	460 V 60 Hz	50 Hz	60 Hz							øG	N°							
three-phase	602561	MVSS 075/150-S02	20	•	163	163	104	149	1.02	1.46	22.5	22.5	230	250	0.85	0.76	2.13	2.11	W	340	200	167	105	140	13	4	15	82.5	91	143	137	160	M25x1.5	
	602562	MVSS 075/250-S02	30	•	286	286	181	260	1.76	2.55	32.0	32.0	350	380	1.10	1.05	2.03	2.29	W	378	211	205	120	170	17	4	17	93.5	98	168	160	182	M25x1.5	
	602563	MVSS 075/400-S02	35	•	457	457	288	415	2.83	4.07	43.5	43.5	280	300	0.60	0.58	1.73	2.50	W	434	232	205	120	170	17	4	20	104.5	117	181	162	203	M25x1.5	
	602564	MVSS 075/660-S02	40	•	723	723	456	656	4.47	6.44	54.0	54.0	400	450	1.20	1.20	2.38	2.58	W	490	245	230	140	190	17	4	25	116	129	201	180	225	M25x1.5	
	602565	MVSS 075/910-S02	50	•	1012	1012	637	917	6.25	9.00	67.0	67.0	400	500	1.40	1.30	2.38	2.85	W	560	245	230	140	190	17	4	25	116	164	201	180	225	M25x1.5	
	602566	MVSS 075/1310-S02	60	•	1464	1464	922	1327	9.04	13.0	94.0	94.0	950	1100	2.20	2.20	2.63	3.41	W	601	285	275	155	225	22	4	30	135	169	231	205	253	M25x1.5	
	602567	MVSS 075/2110-S02	70	•	2326	2326	1463	2107	14.4	20.7	130	130	1500	1790	4.10	4.20	3.55	2.95	W	657	323	310	155	255	23.5	4	35	155	173.5	269	215	295	M25x1.5	

\* Working moment = 2 x static moment.